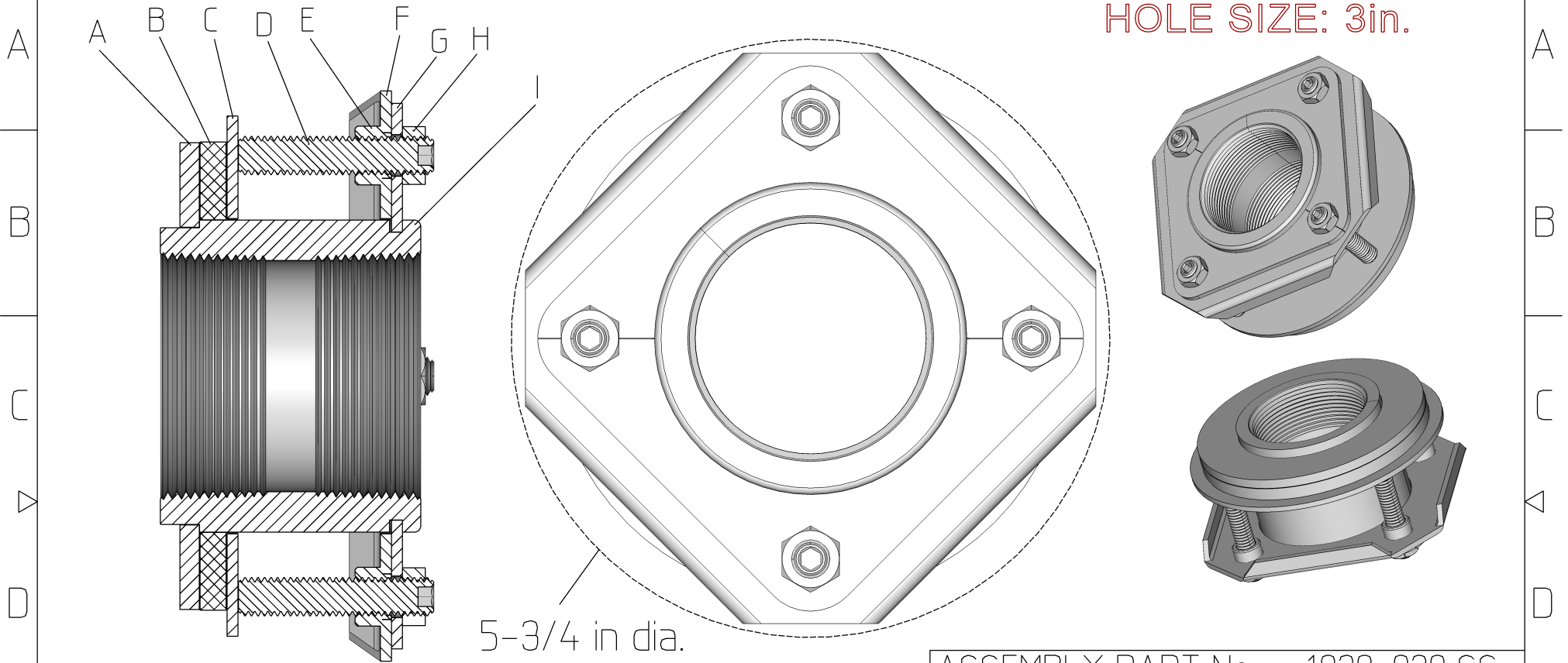


CONFIDENTIAL AND PROPRIETARY

WALL CAPACITY UP TO: 1-1/8in.
HOLE SIZE: 3in.



ASSEMBLY PART No.: 1030-020 SS

ITEM	QTY.	O.D.	DESCRIPTION	PART No.
A	1	4 1/2"	WELD PLATE	40104
B	1	--	GASKET	G-020
C	1	5"	BACKING PLATE	40114
D	4	--	3/8-16 SET SCREW	38134
E	4	--	PRESSURE PLATE NUT	ZT-38
F	1	5 3/4"	PRESSURE PLATE	40124
G	1	--	RETAINING PLATE	40134
H	4	--	3/8-16 JAM NUT	JN38
I	1	3"	COUPLER	M611-32

TANK FITTING TECHNOLOGIES

805 BROAD ST. SUITE 2
KLAMATH FALLS, OR 97601

TITLE: 2 INCH FULL COUPLING
FNPT X FNPT ASSEMBLY

DRAWN BY:
JLG

PATENT# 7527299